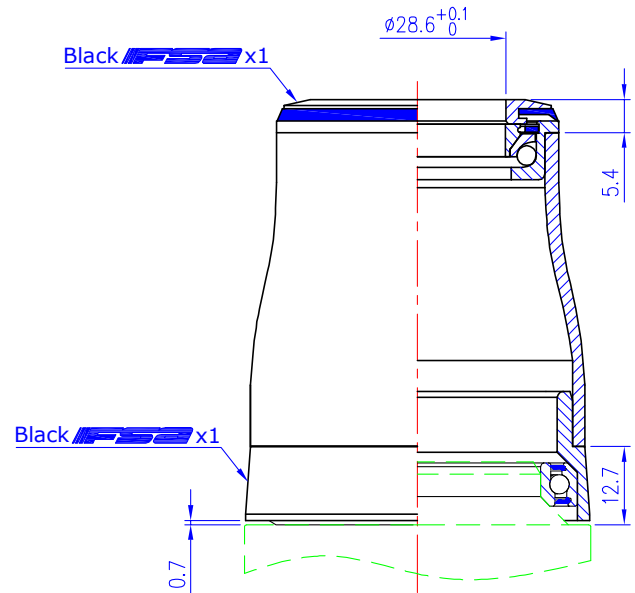
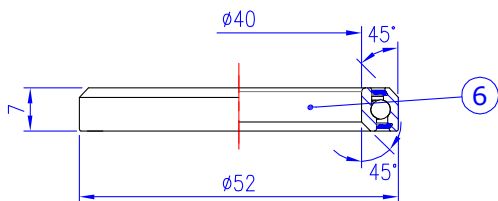
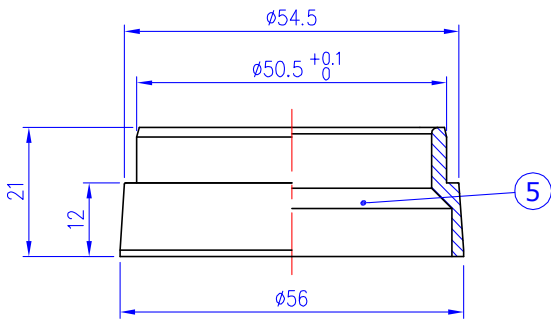
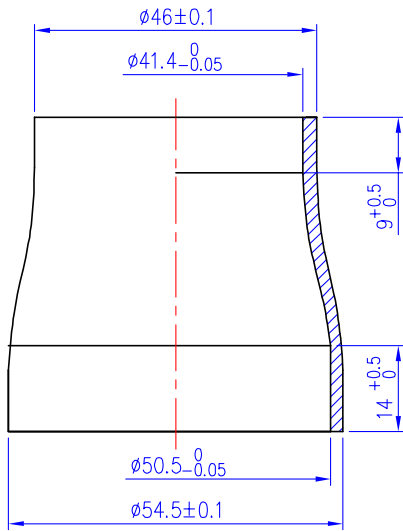
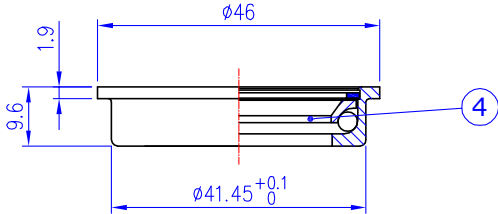
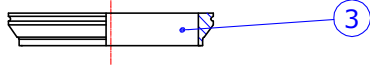
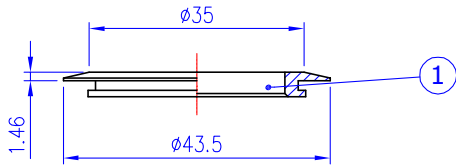


Internal Headset (CC)

NO.11AGY/NO.12B/44-S

1-1/8" / 1.5", 45°/ 45° ACB



Stack Height 5.4+12.7=18.1

- Fits 1-1/8" head tube and 1-1/8" to 1.5" tapered fork
- For tapered 46mm / 54.5mm OD head tube
- **Upper : Chromoly cups with integrated semi-cartridge bearing**
Lower : 1.5" 45°/ 45° ACB (Black seal)
- Without Crown Race

No	Item No	Material	Qty
⑥	MR171{070/DJ-RS}	Chrome steel	1SET
⑤	H5108 - New	Alloy	1PCS
④	MR085{NO.11AGY}	Chrome steel	1SET
③	H2145{NO.11AGY-2}	Alloy	1PCS
②	MS072	Rubber	1PCS
①	H2095A{NO.11G-2}	Alloy	1PCS

